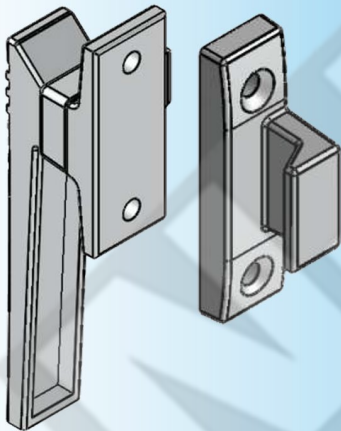


For Product Step File or 3D Model Send a Request Mail To info@nrack.com

Photo View

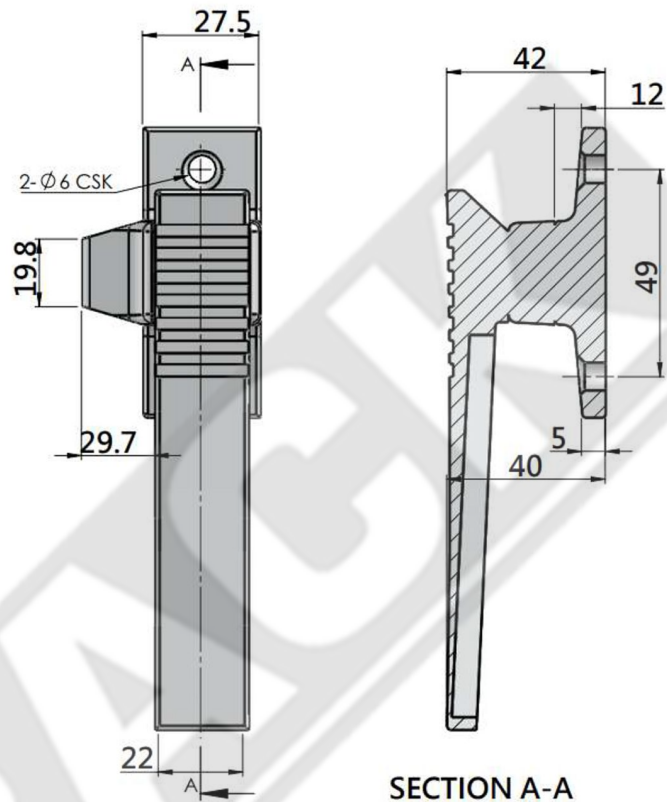


3D Rendered View



OA - 43 H

- Material: Zinc Die Casting
- Finish: Bright Chrome



SECTION A-A

LOCK HOLDER

